



INSTRUCTION BULLETIN

No. 340888
Machine: S30/S30 X4/
S30 XP
Published: 08-2008
Rev. 00

NOTE: DO NOT DISCARD the Parts List from the Instruction Bulletin. Place the Parts List in the appropriate place in the machine manual for future reference. Retaining the Parts List will make it easier to reorder individual parts and will save the cost of ordering an entire kit.

NOTE: Numbers in parenthesis () are reference numbers for parts listed in Bill of Materials.

Installation instructions for **kit number 9003933**

SYNOPSIS:

This kit contains the parts needed to install a fire extinguisher kit on S30, S30 XP, and S30 X4 sweepers.

Please follow step-by-step instructions.

SPECIAL TOOLS / CONSIDERATIONS: NONE

(Estimated time to complete: 30 minutes)

PREPARATION:

1. Park the machine on a clean level surface, turn off the machine, remove the key, and set the parking brake.

FOR SAFETY: Before leaving or servicing machine, stop on level surface, turn off machine, and remove key.

INSTALLATION:

1. Remove the side access panel from the operator compartment. Set the access panel and hardware aside. Refer to Fig. 1.

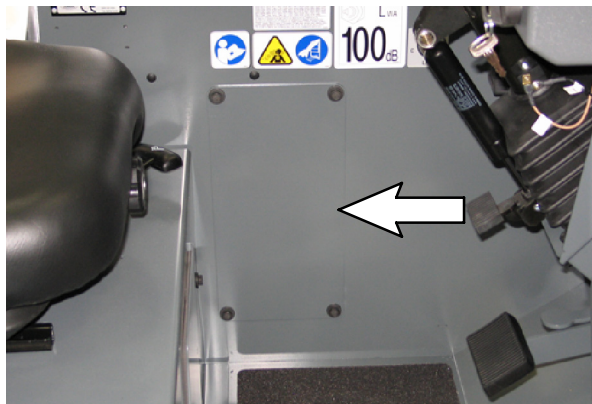


FIG. 1

2. Drill two 0.25" holes into the operator compartment. Refer to Fig. 3 for locations for the holes.
3. Use two pan screws (2) and two hex nuts (3) to install the bracket included with the fire extinguisher (1) onto the operator compartment.
4. Secure the fire extinguisher into the bracket. Refer to Fig. 2.



FIG. 2

5. Reinstall the access panel into the operator compartment. Refer to Fig. 1.

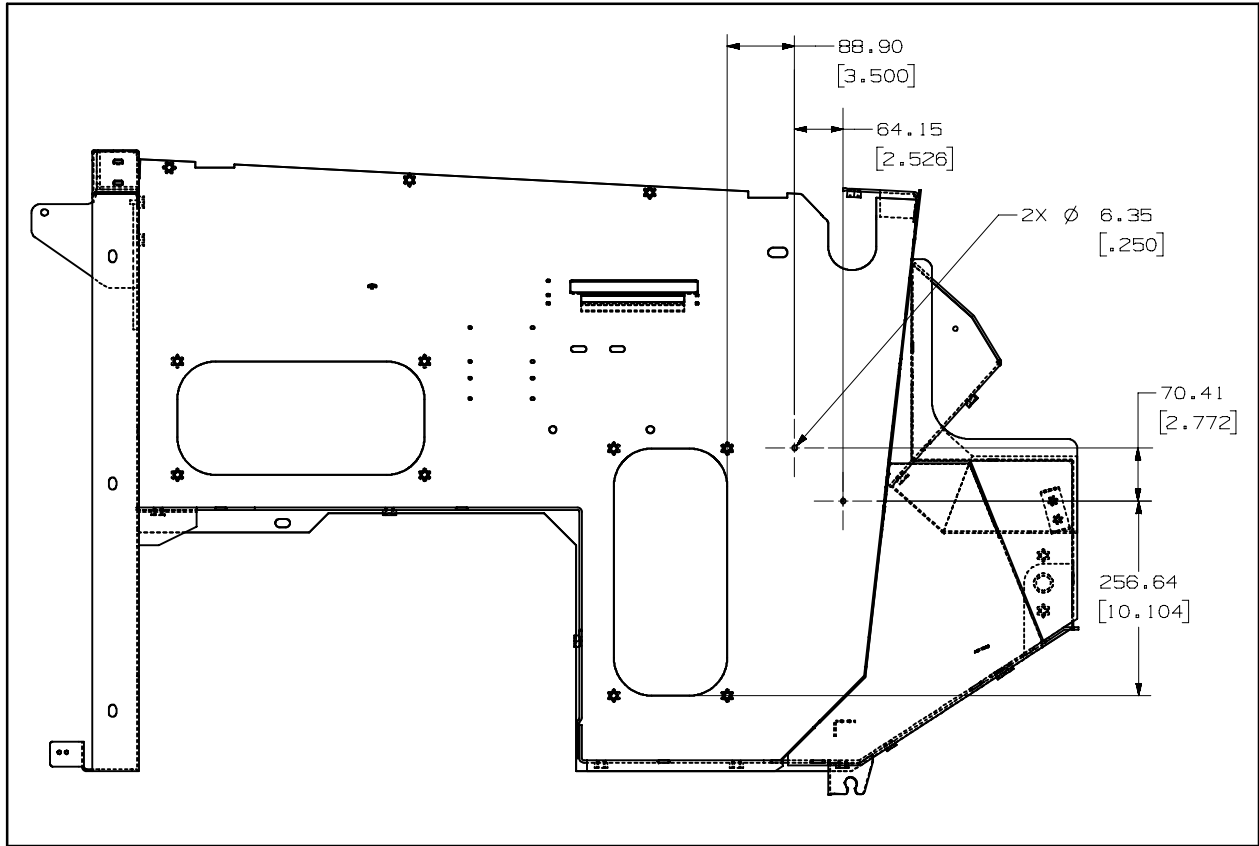


FIG. 3

Bill of Materials for Extinguisher Kit, Fire, CI [S30] - 9003933

Ref.	Tennant Part No.	Description	Qty.
▽	9003933	Extinguisher Kit, Fire, CI [S30]	1
▲	1 25312	Extinguisher, Fire, 2.5 Lb Dry	1
▲	2 06933	Screw, Pan, Phi, M5 X 0.80 X 16, 4.8	2
▲	3 06549	Nut, Hex, Lock, M5 X 0.80, NL	2

TENNANT COMPANY
P. O. Box 1452
Minneapolis, MN 55440-1452